





Coleman Brands Pty.Ltd. Suite W2C1, 75-85 O'Riordan St, Alexandria NSW 2015  
Phone: (02) 8762 5000

2008 The Coleman Company, Inc. All rights reserved. Coleman,  and  are registered trademarks and InstaStart™ and EvenTemp™ are trademarks of The Coleman Company, Inc.

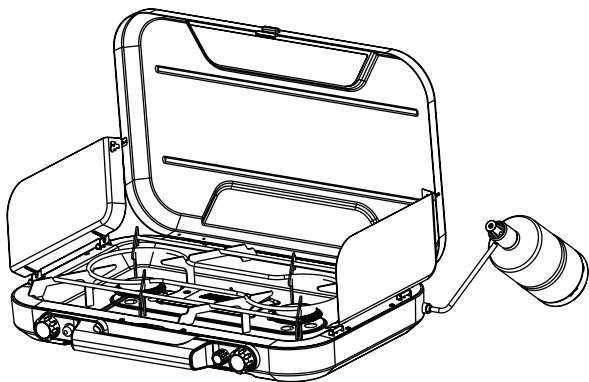
[www.coleman.com](http://www.coleman.com)

4010002950 (20080423)



# Portable LPG Stoves

## Instructions for use



LPG Bottle not included

## 5444 Series

**INSTASTART™ Electronic Ignition**  
(AA Battery Included)

[www.coleman.com](http://www.coleman.com)

2008 The Coleman Company, Inc.

### IMPORTANT

Read these instructions for use carefully. Familiarise yourself with the appliance before connecting it to its gas container. Keep these instructions for future reference. If you have any questions about assembly, operation, servicing or repair, please call Coleman on (02) 8762 5000.

## FOR YOUR SAFETY

If you smell gas:

1. Do not attempt to light appliance.
2. Extinguish any open flame.
3. If using a refillable cylinder, close cylinder valve.
4. Disconnect from fuel supply.
5. If odour continues, keep away from the appliance and the gas cylinder. Immediately call your gas supplier or your fire department. If there is a leak on your appliance (smell of gas) and you cannot stop the gas flow, remove the appliance to a well ventilated location away from any ignition source. Only check for leaks outdoors using soapy water. Do not try to detect leaks using a flame.

## FOR YOUR SAFETY

Do not store or use gasoline or other liquids with flammable vapors in the vicinity of this or any other appliance.

## DANGER



### CARBON MONOXIDE HAZARD

ONLY USE IN WELL VENTILATED AREAS.

CARBON MONOXIDE HAZARD - THIS APPLIANCE CAN PRODUCE CARBON MONOXIDE WHICH HAS NO ODOUR. USING IT IN AN ENCLOSED SPACE (FOR EXAMPLE, CARAVAN, TENT, CAR, MOBILE HOME) MAY CAUSE DEATH.

## Limited Five Year Warranty

### EXPRESS WARRANTY

Coleman Brands Pty. Ltd. ("Coleman") warrants that for a period of five (5) years from the date of original retail purchase, this product will be free from defects in material and workmanship. Coleman will, depending on the circumstances, refund, repair or replace this product or any component of the product found to be defective during the warranty period. Replacement will be made with a new or remanufactured product or component. If the product is no longer available, replacement may be made with a similar product of equal or greater value. To the extent permitted by law and subject to your non-excludable rights under the Australian Consumer Law (Schedule 2 to the Competition and Consumer Act 2010 (Cth)) and the New Zealand Consumer Guarantees Act, which are not limited to a one (1) year period, this is your exclusive remedy for any breach of this limited warranty or for any other claims otherwise relating to this limited warranty.

In Australia, our goods come with guarantees that cannot be excluded under the Australian Consumer Law. You are entitled to a replacement or refund for a major failure and compensation for any other reasonably foreseeable loss or damage. You are also entitled to have the goods repaired or replaced if the goods fail to be of acceptable quality and the failure does not amount to a major failure. The benefits provided under this warranty are in addition to and do not affect purchaser's statutory rights under the Australian Consumer Law or other rights at law.

This warranty is valid for the original retail purchaser from the date of initial retail purchase and is not transferable. Please keep your proof of purchase documentation, such as the original sales receipt or the relevant credit card statement. Proof of purchase is required to obtain warranty performance. Coleman dealers, Coleman service centres, or retail stores selling Coleman® products do not have the right to alter, modify or in any way change the terms and conditions of this warranty. The warranty is valid only for products that are purchased new and unused in Australia and New Zealand, from Coleman or Coleman dealers or retailers.

### WARRANTY EXCLUSIONS AND LIMITATIONS

THE AUSTRALIAN CONSUMER LAW PROVIDES CONSUMERS WITH CERTAIN 'CONSUMER GUARANTEES'. THESE GUARANTEES APPLY WHERE THE GOODS AND SERVICES COLEMAN SUPPLIES TO YOU ARE OF A KIND ORDINARILY ACQUIRED FOR PERSONAL, DOMESTIC OR HOUSEHOLD USE OR COST LESS THAN \$40,000, AND IN THE CASE OF GOODS, ARE NOT RE-SUPPLIED BY YOU. NOTHING IN THIS LIMITED WARRANTY EXCLUDES, RESTRICTS OR MODIFIES RIGHTS WHICH YOU HAVE UNDER THE AUSTRALIAN CONSUMER LAW IN RESPECT OF THE CONSUMER GUARANTEES AND ALL OF THE PROVISIONS IN THIS SECTION ARE TO BE READ SUBJECT TO THE AUSTRALIAN CONSUMER LAW.

This warranty does not cover: (a) normal wear of the product and/or its parts; (b) parts that are not genuine Coleman® parts, consumables, lost parts and accessories; (c) damage resulting from any of the following: negligent use or misuse of the product, commercial use of the product, use contrary to the operating instructions; disassembly, repair or alteration by anyone other than Coleman or Coleman service centre, the use of a part other than a genuine Coleman® part; or (d) acts of God, such as fire, flood, hurricanes and tornadoes.

To the extent permitted by the Australian Consumer Law, the Competition and Consumer Regulation 2010 and the New Zealand Consumer Guarantees Act, Coleman's liability is limited, depending on the circumstances, to refund, replacement or repair of Coleman® products or components.

For the avoidance of doubt, any and all other warranties or conditions which are not guaranteed by the Australian Consumer Law, the Competition and Consumer Regulation 2010 and the New Zealand Consumer Guarantees Act and which are not expressly included in this warranty as additional warranties or conditions are expressly excluded, including liability for incidental or consequential damages caused by the breach of any express or implied warranty or condition.

### MAKING A WARRANTY CLAIM - RETURN TO COLEMAN FOR REPAIR

Take the product to an authorised Coleman retailer or Coleman service centre as soon as the warranty claim arises. You may locate the nearest authorised Coleman retailer or Coleman service centre by visiting [www.coleman.com](http://www.coleman.com) or calling 1800 224 350 or + 61 2 8762 5000. Please ensure that you provide a written description of the problem with the product, together with your contact name, address and telephone number and proof of purchase.

Subject to the applicable consumer laws in your jurisdiction, you must pay for the costs of transporting the product, including packaging, freight and insurance costs, to an authorised Coleman retailer or Coleman service centre for warranty service. If the warranty claim is substantiated and accepted by Coleman, Coleman will at its cost, repair or replace any product or parts and return the product to you. Additionally, if the warranty claim is substantiated and accepted by Coleman, Coleman will reimburse you for the costs of transporting the product to an authorized Coleman retailer or Coleman service centre. Coleman reserves the right to seek reimbursement for any costs and expenses incurred for a warranty claim if the product is found to be in good working order.

If you have any questions regarding this warranty please call 1800 224 350 or + 61 2 8762 5000.

Coleman Brands Pty. Ltd. ABN 74 091 681 195  
Suite W2C1, 75-85 O'Riordan Street,  
Sydney Corporate Park, Alexandria, NSW 2015 Australia  
Email: [customerservice@colemanaust.com.au](mailto:customerservice@colemanaust.com.au)  
[www.coleman.com](http://www.coleman.com)

## Cleaning the Griddle

- Make sure stove and griddle are cool.
- Wipe clean with soft cloth and mild dish detergent. Do not use abrasive on the non-stick griddle surface.

## Storing the Griddle

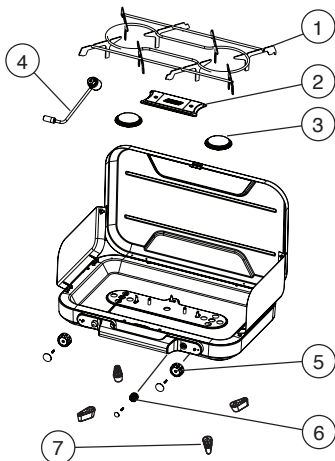
- Place the grease cup under the pot support.
- To protect the non-stick surface, place the griddle into the griddle cover.
- Invert the griddle and place on the pot support.
- Close the wind baffles and the stove lid.

## Things You Should Know

1. It is unsafe and illegal in some places to store or use LPG bottles indoors. Never store gas bottles in living spaces.
2. If using refillable LPG bottle, use only Coleman parts and accessories.
3. The usual storage areas for camping and picnic equipment are the basement, attic, or garage. To avoid the accumulation of dust, cobwebs, etc., that is common in these areas, place your stove in a plastic bag and seal it with a rubber band.
4. For repair or service call the number on the front cover for location of your nearest Coleman Service Centre.

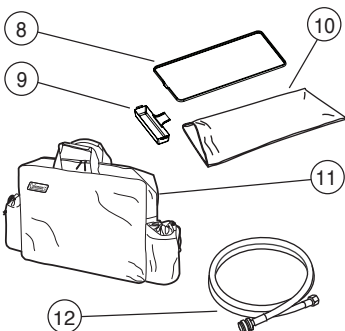
## Parts List

No.	Part Number	Description
1	5444-5401	Pot Support
2	5444-3251	Burner Assembly 2-Hole (1 pk)
	5010000171	Burner Assembly 4-Hole (1 pk)
3	5444-3261	Burner Assembly (1 pk)
4	5430-5651	Regulator Assembly
5	5444-1501	Large Control Knob (1 pk)
6	5444-1451	Small Control Knob (1 pk)
7	9922-4051	Foot w/ screw (1 pk)






## Accessories (sold separately and supplied with some models)

No.	Part Number	Description
8 & 9	2000000504	Griddle w/Cup*
10	5444-1171	Griddle Cover
11	2000000505	Carry Case
12	R5470-564A	Hose Assembly



\*You may purchase the Griddle or Grease Cup individually as follows:

No.	Part Number	Description
8	5444-3151	Griddle
9	5444A1201	Grease Cup

This manual contains important information about the assembly, operation and maintenance of this outdoor propane appliance. General safety information is presented on this page and is also located throughout these instructions. Particular attention should be paid to information accompanied by the safety alert symbol  DANGER,  WARNING,  CAUTION.

Keep this manual for future reference and to educate new users of this product. This manual should be read in conjunction with the labeling on the product.

Safety precautions are essential when any mechanical or propane fueled equipment is involved. These precautions are necessary when using, storing, and servicing. Using this equipment with the respect and caution demanded will reduce the possibilities of personal injury or property damage.

The following symbols shown below are used extensively throughout these instructions. Always heed these precautions, as they are essential when using any mechanical or propane fueled equipment.

## DANGER

DANGER indicates an imminently hazardous situation which, if not avoided, will result in death or serious injury.

## WARNING

WARNING indicates a potentially hazardous situation which, if not avoided, could result in death or serious injury.

## CAUTION

CAUTION indicates a potentially hazardous situation which, if not avoided, may result in minor or moderate personal injury, or property damage.

## DANGER

Failure to comply with the precautions and instructions provided with these stoves can result in death, serious bodily injury and property loss or damage from hazards of fire, explosion, burn, asphyxiation, and/or carbon monoxide poisoning.

Only persons who can understand and follow the instructions should use these stoves.

This appliance must only be serviced by an authorised person.

If you need assistance or information such as an instruction manual or labels, contact Coleman on (02) 8762 5000.

## WARNING

This product is fueled by propane gas. Propane gas is invisible, odorless, and flammable. An odorant is normally added to help detect leaks and can be described as a rotten egg smell. The odorant can fade over time so leaking gas is not always detectable by smell alone.

Propane gas is heavier than air and leaking propane will sink to the lowest level possible. It can ignite by ignition sources including matches, lighters, sparks or open flames of any kind many feet away from the original leak. Use only propane gas set up for vapor withdrawal.

Cylinders must be stored outdoors in a well-ventilated area out of the reach of children. Any indoor storage shall comply with Section 2 Minor storage and usage of AS/NZS 1596. If connected to a refillable cylinder, turn off cylinder valve when the unit is not in use.

Disconnect propane gas cylinder before storing the stove.

## DANGER



### EXPLOSION - FIRE HAZARD

Never store propane near high heat, open flames, pilot lights, direct sunlight, other ignition sources or where temperatures exceed 120 degrees F (49°C).

Propane is heavier than air and can accumulate in low places. If you smell gas, leave the area immediately.

Always attach or detach LPG bottles in a well ventilated location, preferably outside, away from people and away from any sources of ignition; such as naked flames, pilot flames, electric heaters/equipment.

Never install or remove LPG bottles while stove is hot to touch.

During lighting and operation, this product can be a source of ignition. Never use the stove in spaces that contain or may contain volatile or airborne combustibles, or products such as gasoline, solvents, paint thinner, dust particles or unknown chemicals. Minimum clearances from combustible materials: 30cm from the sides and 120cm from the top.

Provide adequate clearances around air openings into the combustion chamber.

## **WARNING**

This appliance is not intended to be installed or used on a recreational vehicle or marine environment.

We cannot foresee every use which may be made of our products.

**Check with your local fire safety authority if you have questions about use.**

Other standards govern the use of fuel gases and heat producing products for specific uses. Your local authorities can advise you about these.

- › Never refill disposable cylinders.
- › Use the preset regulator that came with the stove. Do not attempt to adjust.
- › Maximum hose length to be used is 1.5 meters.
- › Avoid twisting or kinking the flexible hose.
- › Use only Coleman accessories or parts. During stove set-up, check all fittings for leaks using soapy water. Never use a flame.

## **WARNING**



### **BURN HAZARD**

- › Never leave stove unattended when hot or in use.
- › Keep out of reach of children.
- › Do not move the appliance during operation.
- › CAUTION: accessible parts may be very hot. Keep young children away.

## **DANGER**



### **CARBON MONOXIDE HAZARD**

- › This stove is a combustion appliance. All combustion appliances produce carbon monoxide (CO) during the combustion process. This product is designed to produce extremely minute, non-hazardous amounts of CO if used and maintained in accordance with all warnings and instructions. Do not block air flow into or out of the stove.
- › Carbon Monoxide (CO) poisoning produces flu-like symptoms, watery eyes, headaches, dizziness, fatigue and possibly death. You can't see it and you can't smell it. It's an invisible killer. If these symptoms are present during operation of this product get **fresh air immediately!**
- › **For outdoor use only. Never use inside house, camper, tent, vehicle or other unventilated or enclosed areas. This stove consumes air (oxygen). Do not use in unventilated or enclosed areas to avoid endangering your life.**

## **CAUTION**

### **SERVICE SAFETY**

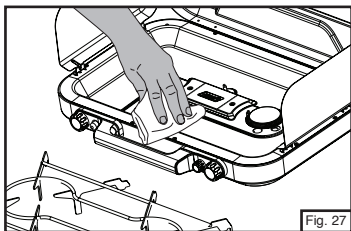
- › Keep all connections and fittings clean. Inspect propane cylinder and stove propane connections for damage before attaching.
- › Do not use this appliance if it has damaged or worn seals.
- › Do not use this appliance if it is leaking, damaged or does not operate properly.
- › Check that the seals between the appliance and the gas bottle are in place and in good condition before connecting the gas bottle.
- › During set up, check all connections and fittings for leaks using soapy water. Never use a flame. Bubbles indicate a leak. Check that the connection is not cross-threaded and that it is tight. Perform another leak check. If there is still a leak, remove the cylinder and contact Coleman for service or repairs.
- › Use as a cooking appliance only. Do not modify this appliance. Never alter in any way or use with any device or part not expressly approved by Coleman.
- › Clean stove frequently to avoid grease accumulation and possible grease fires.

## **Technical Characteristics**

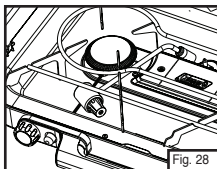
Hob Burner Gas Consumption: 12.13 MJ/h  
Centre Burner Gas Consumption: 5.27 MJ/h  
Total Nominal Gas Consumption: 29.53 MJ/h  
Hob Burner Injector: 0.42mm  
Centre Burner Injector: 0.27mm  
Operating Pressure: 105kPa  
Regulator: 5430 (AGA Number: 6602)  
Hose Assembly: 5470-564A (AGA Number: 6856)

## MAINTENANCE SCHEDULE

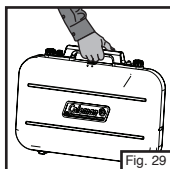
- > No regular maintenance is required for the stove except cleaning.
- > Keep exterior surfaces clean.
- > Air flow must be unobstructed. Keep controls, burner, and circulating air passages clean. Signs of possible blockage include: Gas odour, popping noises and smokey flame.
- > Spiders and insects can nest in burner orifices. This condition can damage the stove and render it unsafe to use. Clean burner holes by using a heavy-duty pipe cleaner. Compressed air may help clear away small particles.
- > Carbon deposits may create a fire hazard. Clean burner with warm soapy water if any carbon deposits develop.
- > Keep stove area clear and free from combustible materials, gasoline and other flammable vapors and liquids.
- > Do not obstruct the flow of combustion and ventilation air on the body of the appliance and the area below the burners.
- > A good flame should be blue with minimal yellow tip. Some yellow tips on flames are acceptable as long as no carbon or soot deposits appear.
- > Wipe clean with soft cloth and mild dish detergent. Do not use abrasive. (Fig. 27)



- For storage or transport, the regulator may be located below the pot support. (Fig. 28)

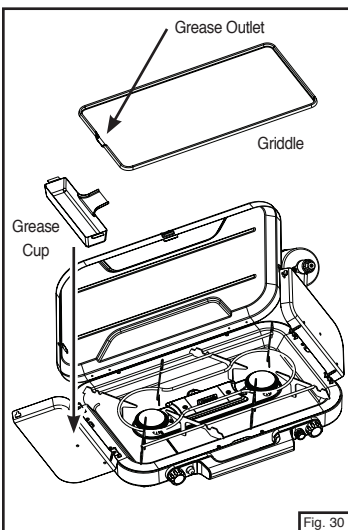


- To carry the stove, firmly grasp the stove by the handle. (Fig. 29)



## Griddle (sold separately and supplied with some models)

- Extend the left wind baffle down to the utensil tray position.
- Place the grease cup on the utensil tray. The grease cup engages the three holes on the utensil tray.
- Lay the griddle in the center of the pot support with the grease outlet directed into the grease cup (Fig. 30). The tabs on the bottom side of the griddle must engage the pot support.



### NOTE TO PREVENT DAMAGE WHICH WILL VOID THE WARRANTY:

- > Do not use pots, pans, ovens, etc., on this griddle surface.
- > Do not use this griddle on a campfire or other open fire.
- > Use this griddle only on the Coleman stove for which it was designed.

## To Store

### ⚠ DANGER



### EXPLOSION - FIRE HAZARD

- > Never store propane near high heat, open flames, pilot lights, direct sunlight, other ignition sources or where temperatures exceed 120 degrees F (49°C).
- > The cylinder must be disconnected when the stove is in storage.



# ⚠ DANGER



## EXPLOSION - FIRE HAZARD

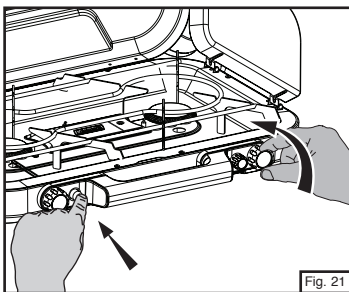
- ▶ Propane is heavier than air and can accumulate in low places. If you smell gas, leave the area immediately.
- ▶ Always attach or detach LPG source in a well ventilated location, outdoors, never while stove is lighted, away from people and away from any sources of ignition; such as naked flames, pilot flames, electric heaters/equipment., near flame, pilot lights, other ignition sources or while stove is hot to touch.
- ▶ This stove is very hot during use and can ignite flammables too close to the burners. Keep flammables at least 30cm from the sides and 120cm from the top of the stove. Keep gasoline and other flammable liquids and vapors well away from stove.
- ▶ The stove must not be exposed to flammable vapors or liquids during lighting.

## INSTASTART

### Electronic Ignition Stoves

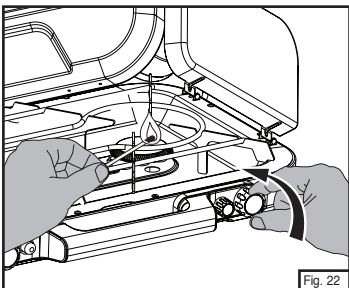
- This appliance must be operated on a sturdy, flat horizontal surface. **For outdoor use only.**
- Push igniter button and hold; then open fuel valve fully. (Fig. 21)
- Repeat for all three burners.

Note: If igniter fails to light stove, replace the battery with a fresh AA battery. If the igniter still fails to light stove, use match to light burner. If the stove is wet the igniter may not spark.

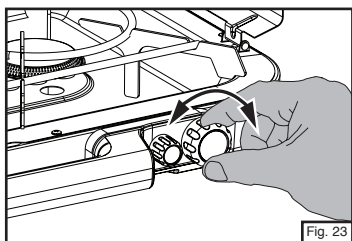


### Match Lighting

- This appliance must be operated on a sturdy, flat horizontal surface. **For outdoor use only.**
- Hold lighted match near burner and open burner valve. (Fig.22)
- Repeat for all three burners.



- Adjust flame with burner valves. (Fig. 23) Flame should be blue with a hint of yellow on tips.

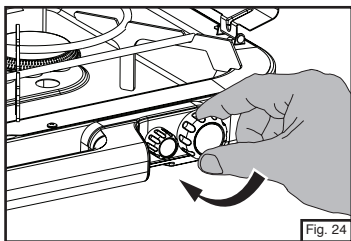


## Abnormal Operation

- The following is recognised as abnormal operation and requires servicing, repair or changing the gas container.
- Burner won't light.  
**Please Note:** An empty gas container will cause the burner not to light. Replace either the Lightweight LPG Bottle or refill the Refillable LPG Bottle. If the burner now lights, then you can assume that the gas container was empty.
- Burner won't stay lit.
- Burner flame is low.
- Improper flame. A good flame should be blue with a hint of yellow on the tip.
- Soot build up.

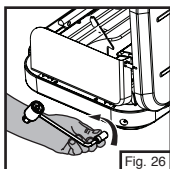
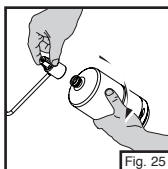
## To Turn Off

- For lightweight bottle close both burner valves firmly. (Fig. 24)  
Note: For refillable bottle, turn the gas cylinder valve off, wait for the flame to go out, then turn the appliance control valves off.



## To Clean

- Make sure stove is cool.
- Move stove away from flame (including pilot lights) and other ignition sources.
- Remove lightweight bottle or hose and refillable bottle from regulator and replace protective cap on bottle. (Fig. 25)
- Remove regulator from stove. (Fig. 26)



# Use Outdoors Only

This appliance shall only be used in an above ground open-air situation with natural ventilation, without stagnant areas, where gas leakage and products of combustion are rapidly dispersed by wind and natural convection.

Any outdoor enclosure in which the appliance is used shall comply with one of the following:

- › An enclosure with walls on all sides, but with no overhead cover. See Figure 1.
- › Within a partial enclosure that includes an overhead cover and no more than two walls. See Figure 2 & 3
- › Within a partial enclosure that includes an overhead cover and more than two walls, the following shall apply:

At least 25% of the total wall area is completely open, and 30% or more in total of the remaining wall side, back and front wall areas is open and unrestricted. See Figure 4 & 5.

In the case of balconies 20% or more of the total wall area shall be and remain open and unrestricted.

The following diagrams provide a diagrammatic representation of outdoor areas. Rectangular areas have been used in these figures-the same principles apply to any other shaped area.

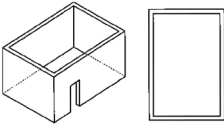


Figure 1 - Enclosure with walls on all sides but no over head cover.

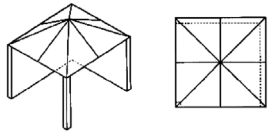


Figure 2 - Partial Enclosure with overhead cover and no more than two walls.

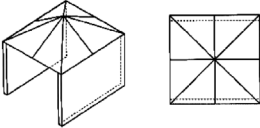


Figure 3 - Partial Enclosure with overhead cover and no more than two walls.

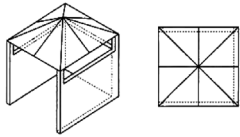


Figure 4 - Open side at least 25% of the total wall area. 30% or more in total of the remaining wall area is open and unrestricted.

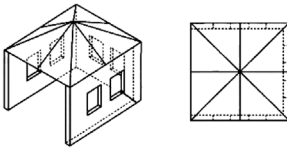


Figure 5 - Open side at least 25% of the total wall area. 30% or more in total of the remaining wall area is open and unrestricted.

## To Set Up

### DANGER



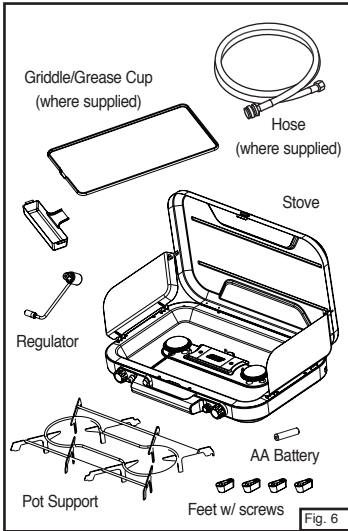
#### CARBON MONOXIDE HAZARD

- › For outdoor use only.
- › Never use inside house, camper, tent, vehicle or other unventilated or enclosed areas. This stove consumes air (oxygen). Do not use in unventilated or enclosed areas to avoid endangering your life.

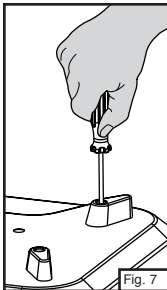
### WARNING

This appliance shall only be used with a Coleman 465g, 100% Propane Gas bottle certified to U.S. standard DOT-39NRC232/290M1110 or with a 100% Propane, refillable gas bottle certified to AS2030. IT MAY BE HAZARDOUS TO ATTEMPT TO FIT OTHER TYPES OF GAS CYLINDERS.

- Remove components from carton. (Fig. 6)
- Ensure any transit protection is removed.



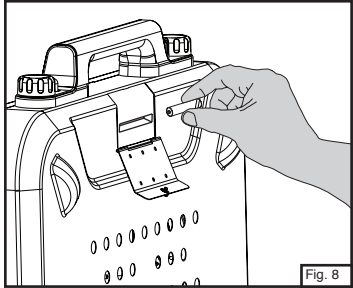
- Assemble feet to stove. Attach each foot to stove using one screw. (Fig. 7) NOTE: Screwdriver is not provided.



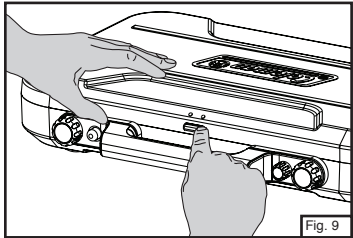
## Battery

- The battery compartment is located on the bottom of the stove, near the handle.
- Open the battery compartment by turning the thumbscrew.
- Assemble the AA battery into the compartment. Observe polarity.
- Close the battery cover.

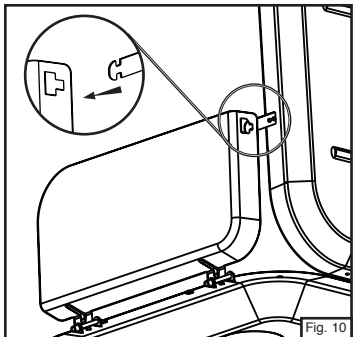
NOTE: Use a fresh AA alkaline battery only. Do not use a nickel cadmium battery. Remove your battery if you won't be using your stove for an extended time period. (Fig. 8)



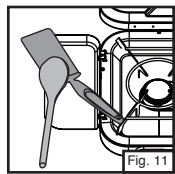
- To open the lid, push the latch release located above the handle. (Fig. 9)



- Assemble windbaffles to lid. (Fig. 10)



- You may lower one wind baffle to serve as a light utensil tray. (Fig. 11)



- Install pot support as shown. (Fig. 12)

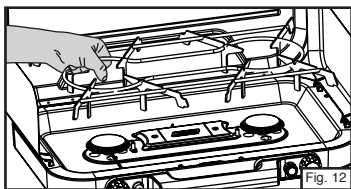


Fig. 12

### Control Knob Identification (Fig. 13)

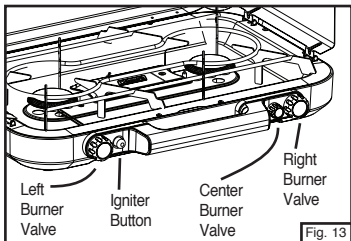


Fig. 13

- Close all three burner valves firmly. (Fig. 14)

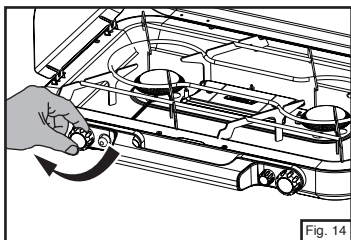


Fig. 14

## ⚠ CAUTION

### SERVICE SAFETY

- › Keep all connections and fittings clean. Inspect propane cylinder and stove propane connections for damage before attaching.
- › During set up, check all connections and fittings for leaks using soapy water. Bubbles indicate a leak. Never use a flame.

## Lightweight LPG Bottle

- Screw regulator into stove hand tight. (Fig. 15)
- Remove plastic cap from top of propane bottle and screw propane bottle into regulator hand tight. (Fig. 16)

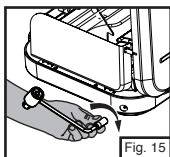


Fig. 15

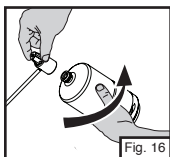


Fig. 16

- Propane cylinder correctly installed. (Fig. 17)
- Never operate stove with propane cylinder in an inverted position. (Fig. 18)

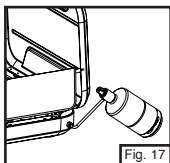


Fig. 17



Fig. 18

## Refillable 3/8" Left Hand LPG Bottle (where hose supplied)

- To use a 3/8 left hand refillable LPG Bottle use the supplied hose.

**WARNING: ONLY USE THE HOSE SUPPLIED WITH THIS APPLIANCE FOR DIRECT CONNECTION TO CYLINDER - DO NOT USE ADAPTERS UNLESS SUPPLIED BY COLEMAN.**

- Screw regulator into stove hand tight. (Fig. 15)
  - Screw hose connection into regulator. Take care not to cross thread. Hand Tighten only. (Fig. 19)
  - Screw hose connection into a 3/8 left hand refillable cylinder (up to 9kg) filled with 100% Propane certified to AS2030. (Fig. 20)
- NOTE: A 3/8 to POL Adapter is available from Coleman if required.



Fig. 19

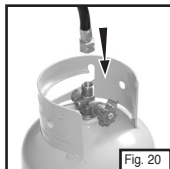


Fig. 20

## Leak Check

### ⚠ WARNING

- › Perform leak test outdoors.
- › Extinguish all open flames.
- › NEVER leak test when smoking.
- › Do not use the outdoor stove until connection has been leak tested and does not leak.

### ⚠ WARNING



#### BURN HAZARD

- › Never leave stove unattended when hot or in use.
- › Keep out of reach of children.

## To Light

