

DARCHE®
OUTDOOR GEAR



DARCHE
ROOF TOP TENT

www.darche.com.au

CONTENTS

Warning	3
Roof top tent hardware identification chart	4
Tent orientation on your vehicle	6
Attaching mounting channels	7
Attaching the ladder.....	9
Fitting the roof top tent to your roof rack.....	10
Closing and storage.....	11
Warranty.....	11

Thank you for purchasing a Darche Roof Top Tent

Congratulations on your purchase of a Darche Roof Top Tent. We strive to provide the ultimate camping experience for every tourer. Your Roof Top Tent mounts directly to your roof rack or aftermarket roof bars. The tent opens and is fully setup in just a few minutes. Your Roof Top Tent is made with durable materials and high quality rip-stop fabrics that provide excellent water and wind protection.

Most of your Roof Top Tent components have been fully assembled at the factory with the exception of attaching the mounting channels and the ladder to the base of the tent. Tent setup is composed of unpacking, attaching mounting channels to the base of the tent, attaching the ladder, attaching the tent cover, and then mounting your tent onto the roof rack or aftermarket roof bars.

Please thoroughly read the instructions and warnings set forth in this manual. Should you have any questions, please ask your Darche retailer or call our customer service line: 1300 367 695.

PLEASE READ ALL INSTRUCTIONS PRIOR TO INSTALLING

Inspections: During trips regularly check that all nuts and bolts attaching your Roof Top Tent to your vehicle are tight and in good repair.

WARNING

Improper installation or use of your Roof Top Tent may result in serious injury or death. You will need to follow these installation instructions carefully to ensure proper installation on your vehicle and safe use of your Roof Top Tent. Please contact your vehicle manufacturer for specified loading capacity of your roof rack. Not all factory roof racks or aftermarket roof bars can safely accommodate tent models.

Any elements applied on the vehicle roof changes the normal vehicle handling. The manufacturer disclaims all responsibility in case of accidents due to improper use, improper maintenance, or checking the tightness of the brackets regarding the installation of the roof rack system.

For your safety and protection, ensure correct placement and angle of ladder. **DO NOT CLIMB ON LADDER UNTIL CORRECT ANGLE IS ACHIEVED** (approx. 30 degrees between ladder and ground). NOTE: If the angle of the ladder is at 90 degrees and/or does not reach the ground, you will need a ladder extension or longer extendable ladder (sold separately).

Darche Outdoor Gear - The wholesaler / manufacturer shall not be liable for special, indirect incidental or consequential damages.



SAFETY WARNING



KEEP ALL FLAME AND HEAT SOURCES AWAY FROM THE TENT MATERIALS.

UNDER NO CIRCUMSTANCE SHOULD ANY NAKED FLAME SOURCES OR HEATING DEVICES BE USED INSIDE OR NEAR THE TENT.

KEEP CAMP FIRES WELL AWAY FROM TENT.

KEEP A LOOK OUT FOR ANY AIRBORNE BURNING EMBERS THAT MAY COME INTO CONTACT WITH THE TENT.

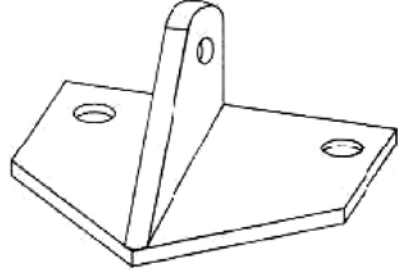
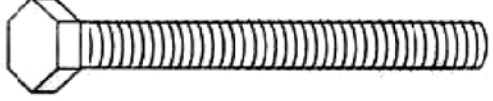
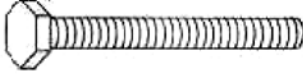
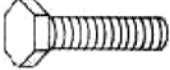
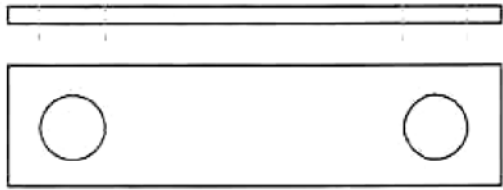
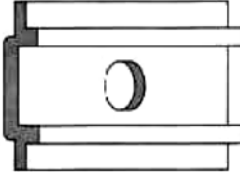

KEEP A FIRE EXTINGUISHER OR WATER BUCKET NEARBY.

DO NOT SMOKE WITHIN THE TENT.




DO NOT OPERATE ANY DEVICE WHICH BURNS FUEL INSIDE OF THE TENT.


KEEP EXIT CLEAR.


ROOF TOP TENT HARDWARE IDENTIFICATION CHART

Quantity	Model#	
Ladder Mounting Bracket		
2	T050801878	
55 mm Steel M8 Bolt		
8	T050801879	
40 mm Steel M6 Bolt		
8	T050801885	
16 mm Steel Bolt To Mount Ladder M6		
2	T050801887	
Stainless Steel Mount Plate		
4	T050801880	
Aluminium Slide Plate		
8	T050801881	
Rubber Washer To Mount Ladder		
2	T050801888	

ROOF TOP TENT HARDWARE IDENTIFICATION CHART

Quantity	Model#	
M6 Nylock Nut		
10	T050801889	
M8 Nylock Nut		
8	T050801889 A	
Stainless Steel Washer		
20	T050801889 B	

Metric Wrench 10 / 13 mm		
2	T050801882A	

Mounting Channel		
2	T050801855	



TENT ORIENTATION ON YOUR VEHICLE

There are two mounting options for the orientation of your new Roof Top Tent. Either the Roof Top Tent will open so that the ladder extends off the back of your vehicle, "Rear Mounted". Or alternatively the ladder extends off the side of your vehicle, "Side Mounted".

Either orientation will work for larger vehicles, however, most sedans or smaller SUVs are better suited for the side mounted option. If the Roof Top Tent is side mounted, the mounting channels need to be cut to match the width of the Roof Top Tent base. We will go over this in the next section.

ATTACHING MOUNTING CHANNELS

1. Remove the Roof Top Tent from the carton and place on a clean surface. Observe the top surface. If it has four holes in the center area of the base, then this is the side which will receive the mounting channels. Otherwise you are looking at the surface which will receive the ladder. Open tent to gain entrance to interior and remove contents.

Contents:

**Ladder – 1 pce, PVC cover – 1 pce, Annex room – 1 pce, Rod for window – 6 pces,
Mounting channel – 2 pces, Mounting accessories – 1bag.**

2. After removing the contents, close the Roof Top Tent, so the channel mounting surface is facing upward, then move the cap of holes (side with 4 holes).



3. Using the four supplied **40mm Steel M6 bolt**, slide your hand between the base and mattress, and insert the bolts with washers into the pre-drilled holes.
4. Place mounting channels on exposed bolts. For side mounted orientation, ensure the mounting channels are perpendicular to hinge side. For rear mounted orientation, ensure the mounting channels are parallel to hinge side.
5. Slide the **M6 Nylock Nut** into the inner slot in the center of the mounting channels, until they are aligned with the bolts sticking through the base. Tighten the bolts firmly from below, using the supplied 10mm wrench. If you chose a side mounted orientation, you will notice that the mounting channels extend (20cm) beyond the edges of the base. You will need to mark each channel where they extend beyond the tent base and cut the mounting channels so they fit within the tent base. Fasten mounting channels to base as described above.

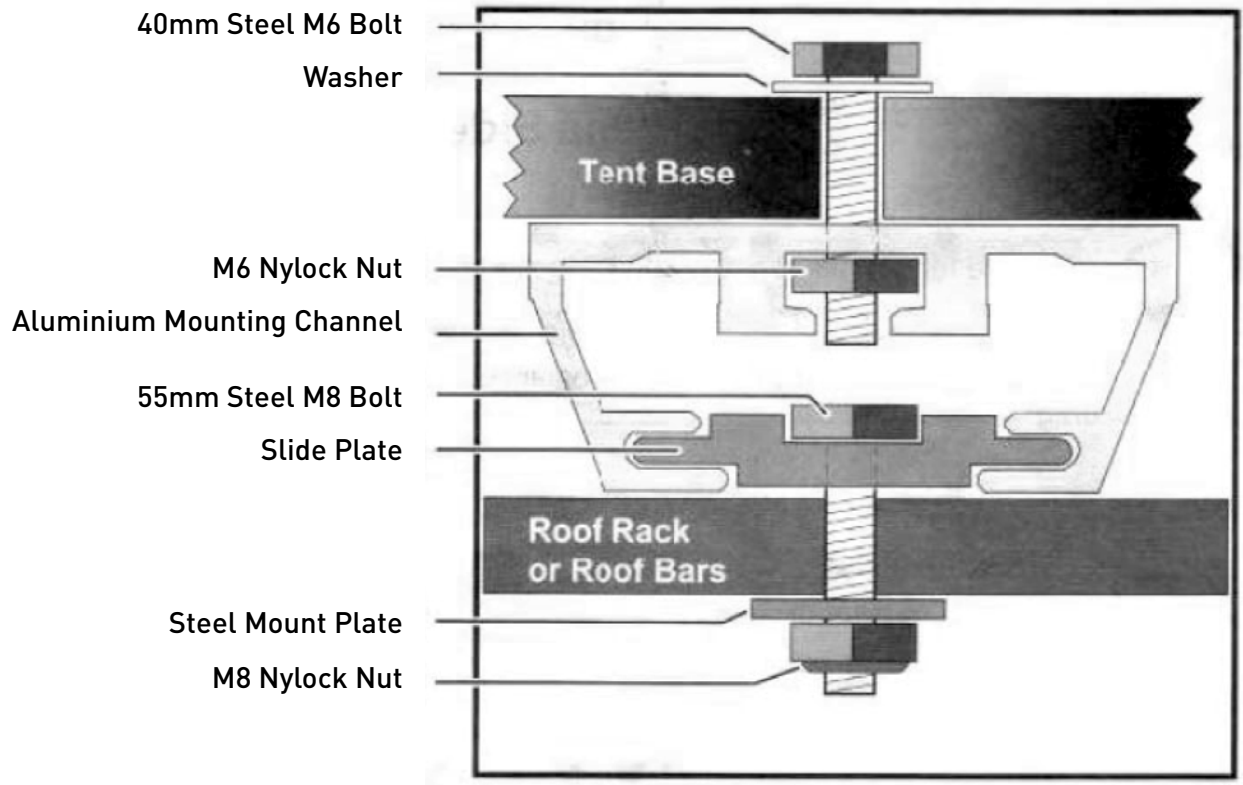


DIAGRAM A

ATTACHING THE LADDER

1. Flip the tent base over.
2. Locate the pre-drilled holes at the edge of the base and attach the ladder bracket to the base using 40mm Steel M6 bolt, washers, and nylock nuts.

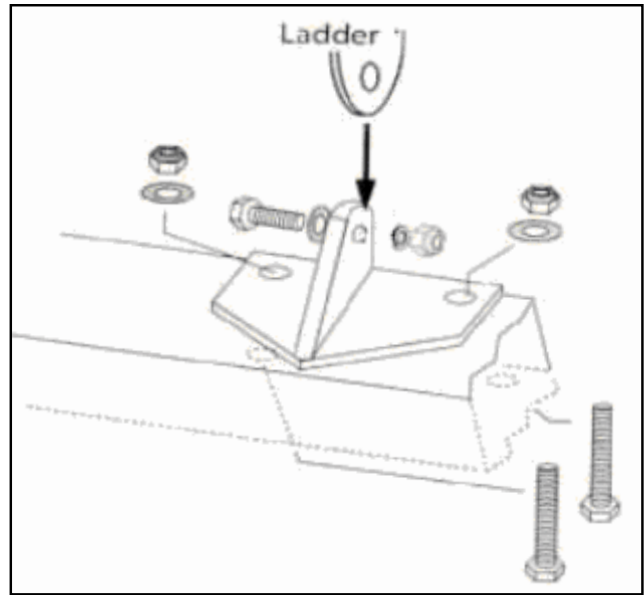


DIAGRAM B

For your safety and protection see Diagram C below for correct placement and angle of ladder. **DO NOT CLIMB ON LADDER UNTIL CORRECT ANGLE IS ACHIEVED** (approx. 30 degrees between ladder and ground). **NOTE:** If the angle of the ladder is at 90 degrees and/or does not reach the ground, you will need a ladder extension (not included). The ladder placed in correct position also acts as a brace for the suspended base of your tent.

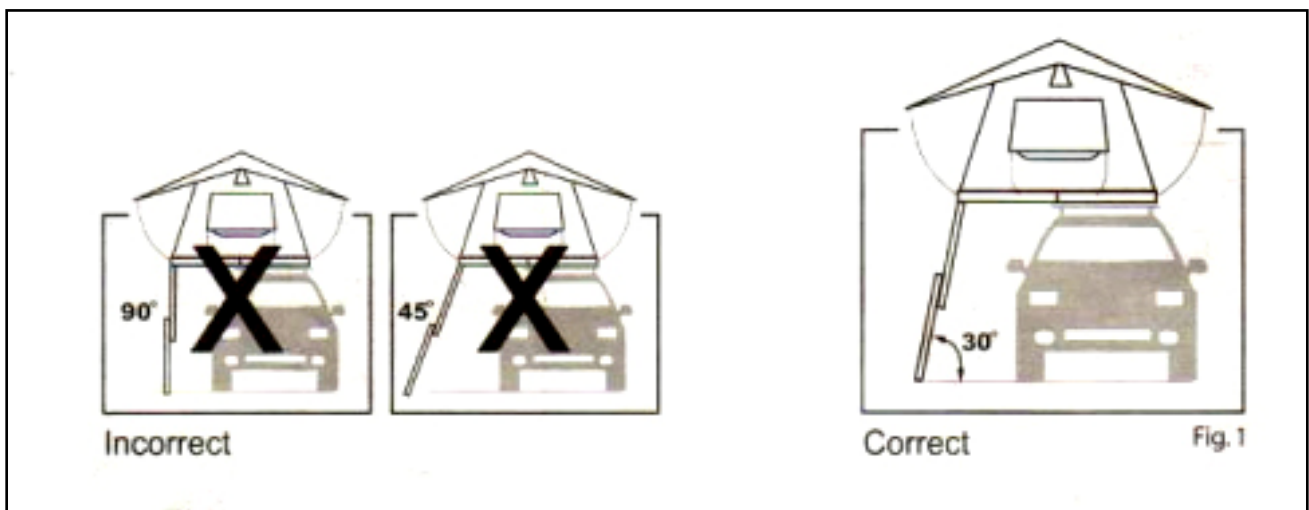


DIAGRAM C

FITTING THE ROOF TOP TENT TO YOUR ROOF RACK

1. Place the Roof Top Tent on top of your vehicle's roof rack system (minimum 2 persons required).
2. Place **55mm Steel M8 bolt** into the slide plates. Slide the plates and bolts into the mounting channel. You will need to lift a Roof Top Tent side, so as to have one of the bolts on the inside of the roof rack bar.
3. Inspect the position of Roof Top Tent to ensure it is centered on the roof rack and positioned to open the desired side.

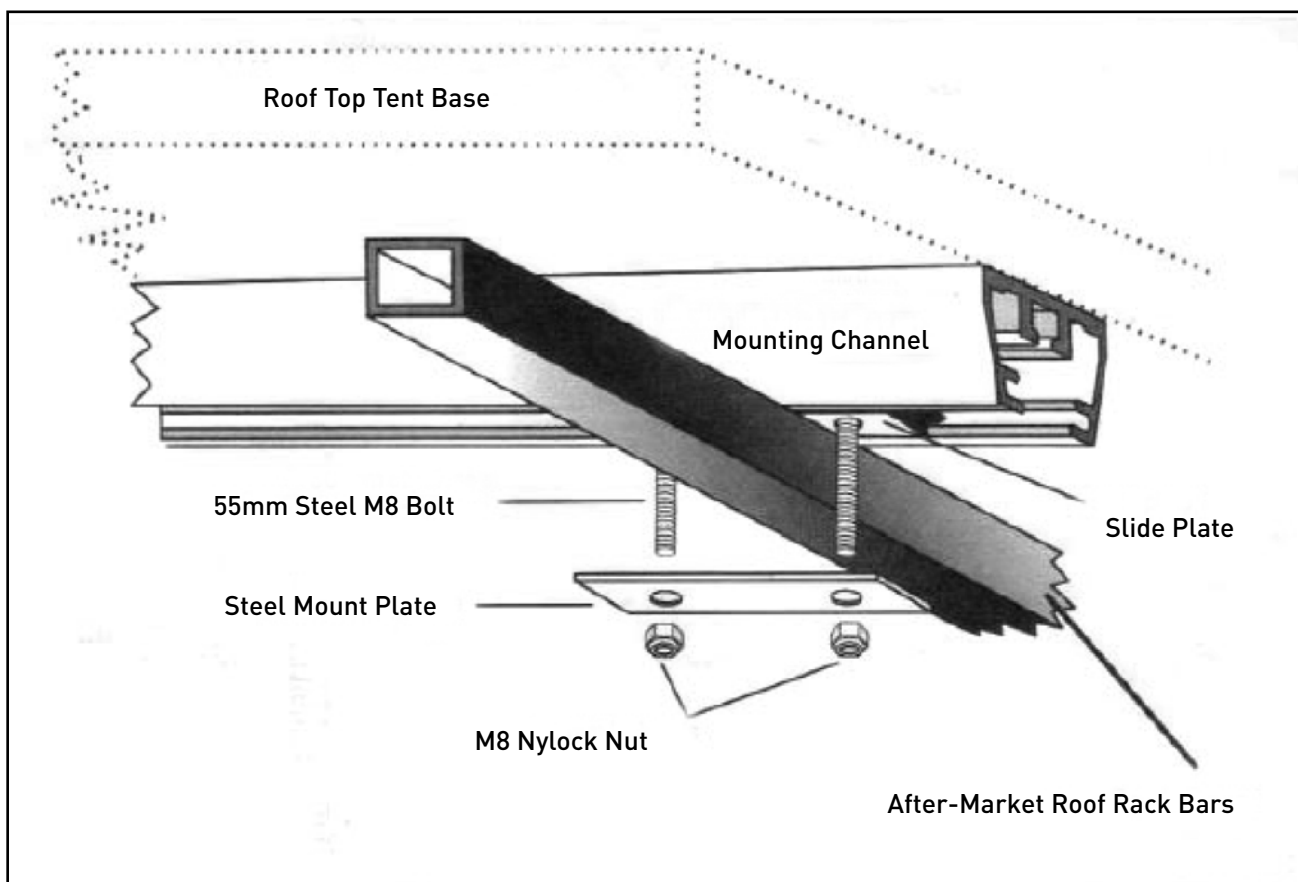


DIAGRAM D

4. Attach the Roof Top Tent to your roof rack at the four points where the rack and mounting channels cross. Tighten all eight bolts securely. It is important that you check all the mounting bolts and brackets periodically to ensure they are securely fastened to your base and roof rack or after-market roof bars.
5. After ensuring the Roof Top Tent is positioned correctly, and all eight bolts are tightened securely, insert the rubber end caps into the ends of the mounting channel (this may require light taps from a hammer).

CLOSING AND STORAGE

Use ladder as lever to close tent. Press down the top folded base to close tent completely. Slide ladder back to storage position. Use Velcro straps to hold bases in closed position.

Caution:

- Do not pull down on Velcro straps when closing the tent. Excessive force on Velcro straps will cause damage to your tent.
- Avoid storing your tent wet. If conditions dictate that you do, open and dry out as soon as possible to avoid moisture damage.
- The overall height of your vehicle is increased when driving with your roof top tent.
- The centre of gravity is altered when the rooftop tent is fitted to your vehicle. Adjust your driving to accommodate this change.

12 MONTH WARRANTY

Darche will replace or repair any Darche product at its discretion that is subject to faulty manufacturing or workmanship including materials.

EXCLUSIONS: The above warranty is limited to manufacturing and materials defects. Not including damage caused by misuse or abuse, wear and tear, condensation, extreme weather, accidents, incorrect set up, damage caused by mould, insects, animals or children. This also excludes damage caused by a jammed, snagged zipper or excessive force applied to zipper causing failure.

MAKING A CLAIM: To make a claim in relation to the above manufacturers warranty please ensure you retain your sales receipt of purchase. Please phone: 1300 367 695 or email: info@darche.com.au to discuss and arrange your claim. Product subject to warranty will be sent to: Darche: 75 Heyington Avenue, Thomastown, Victoria 3074. All freight costs associated with return of product for assessment is payable by consumer.

CONSUMER RIGHTS: Our goods come with guarantees that cannot be excluded under Australian law. You are entitled to a replacement or refund for a major failure and for compensation for any other reasonably foreseeable loss or damage. You are also entitled to have goods repaired or replaced if the goods fail to be of acceptable quality and failure does not amount to a major failure.

Darche reserves the right to vary the product specifications and features.

Designed and tested in Australia for Australian conditions. A brand by Charles Parsons.

Telephone 1300 367 695. Email: info@darche.com.au

DARCHE®
OUTDOOR GEAR

www.darche.com.au