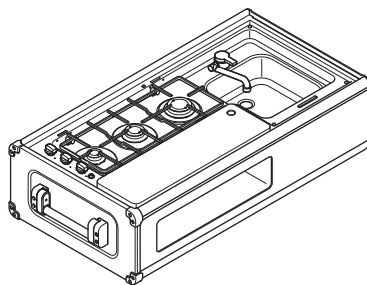
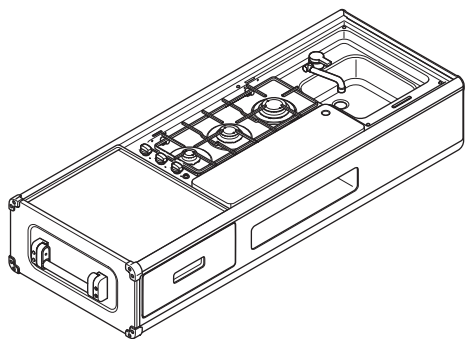


↗ DOMETIC COOKING SLIDE OUT KITCHEN



SKL101, SKS101

EN

Slide out kitchen
Installation Manual

Please read this instruction manual carefully before installation and first use, and store it in a safe place. If you pass on the product to another person, hand over this instruction manual along with it.

Table of contents

| | | |
|---|--|----|
| 1 | Explanation of symbols | 3 |
| 2 | Safety and installation instructions | 4 |
| 3 | Scope of delivery | 5 |
| 4 | Intended use | 6 |
| 5 | Preparing the installation | 6 |
| 6 | Technical data | 12 |

1 Explanation of symbols



WARNING!

Safety instruction: Failure to observe this instruction can cause death or serious injury.



CAUTION!

Safety instruction: Failure to observe this instruction can lead to injury.



NOTICE!

Failure to observe this instruction can cause material damage and impair the function of the product.



NOTE

Supplementary information for operating the product.

2 Safety and installation instructions

Please observe the prescribed safety instructions and stipulations from the vehicle manufacturer and service workshops.

The manufacturer accepts no liability for damage in the following cases:

- Faulty assembly or connection
- Damage to the product resulting from mechanical influences
- Alterations to the product without the express permission of the manufacturer
- Usage for purposes other than those described in this manual



WARNING!

- If the slide out kitchen has visible damage, contact the manufacturer.



NOTICE!

- Hose and gas lines must not be kinked.
- Hose lines must be installed in such a way that they are accessible at all times and that they are not kinked or twisted when being pushed in or out.
- Hose lines must be protected from mechanical, chemical and thermal influences.

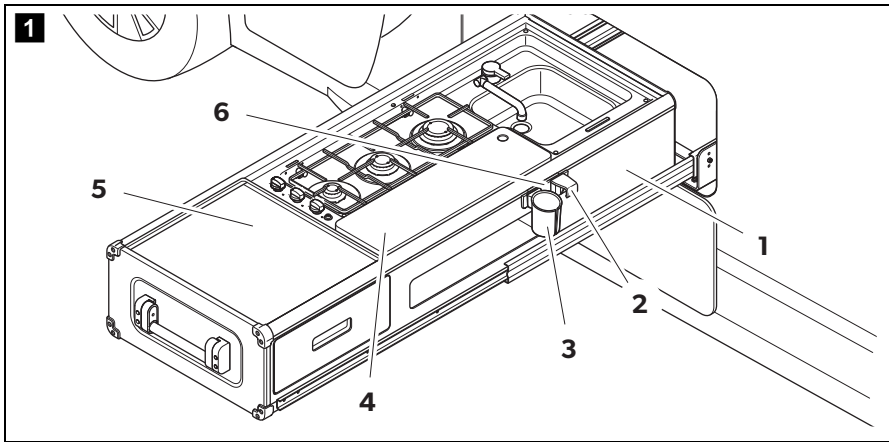
2.1 Safety when handling liquefied petroleum gas



WARNING!

- Keep flammable substances away from heating and cooking devices, and other light and heat sources.
- Compare the pressure information on the type plate with the pressure information on the propane gas cylinder.
- Never store liquefied petroleum gas cylinders in unventilated areas.
- Keep liquefied petroleum gas cylinders away from direct sunlight. The temperature may not exceed 50 °C.
- If you smell gas:
 - Do not operate any electrical devices or switches, and avoid using open flames that can ignite the gas.
 - Close the valve on the gas cylinder and keep it closed until the fault has been rectified.
- Never attempt to find a gas leak with an open flame.

3 Scope of delivery



| No. in fig. 1 | Description |
|---------------|---|
| 1 | Slide out kitchen |
| 2 | Bottle opener |
| 3 | Cup holder |
| 4 | Cutting board |
| 5 | Serving tray (only SKL 101) |
| 6 | Accessory adapter |
| - | Tap with flexible water hose |
| - | Installation manual |
| - | Operating manual |
| - | Cooktop manual (MO9923) and sink components |

4 Intended use

The slide out kitchen for the outside area is intended for installation in trailers and mobile homes. It is solely for the preparation of food in the outside area of the trailer or mobile home.

The slide out kitchen has to be connected to gas via an external gas bottle or a quick connector on the external wall of the vehicle. The slide out kitchen has to be disconnected from gas each time it is stowed. A permanent gas connection to the slide out kitchen is prohibited!

5 Preparing the installation



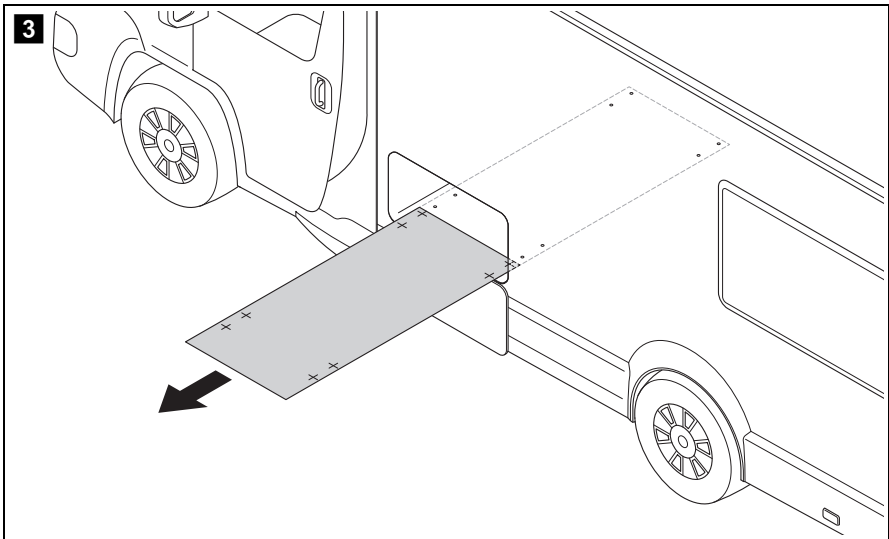
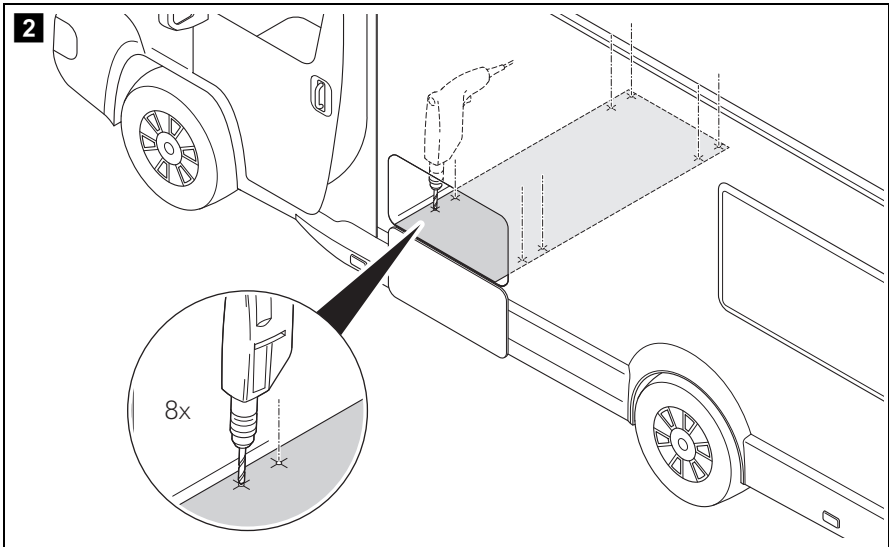
NOTE

The slide out kitchen is pre-assembled with extendable slides and delivered with mounting brackets.

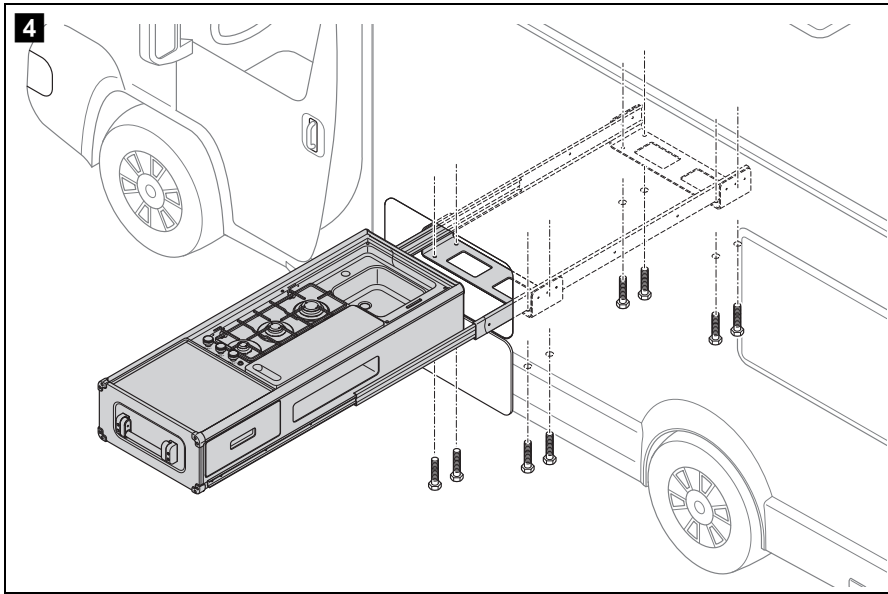
The individual elements of the slide out kitchen are covered with a protective film. This is only to be removed by the end customer.

- Remove the packing of the slide out kitchen.
- Check whether the slide out kitchen has been damaged.
- Contact the manufacturer in case of damage.

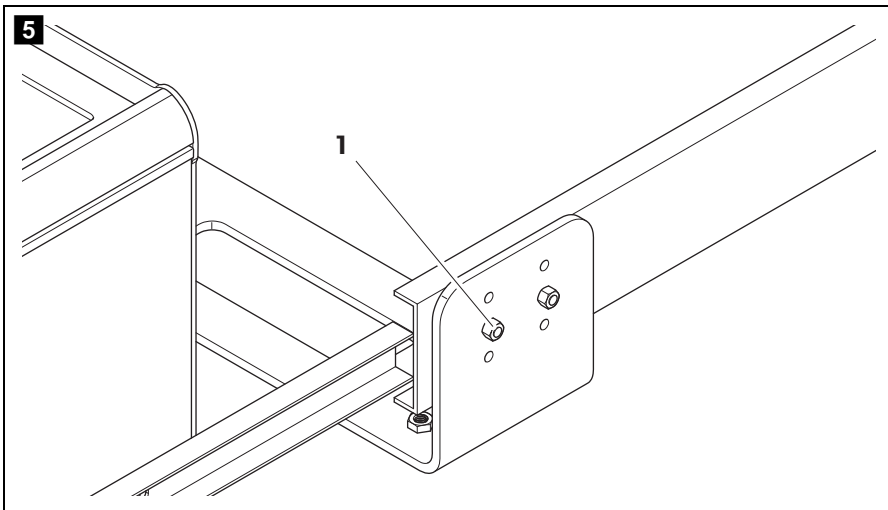
5.1 Installation



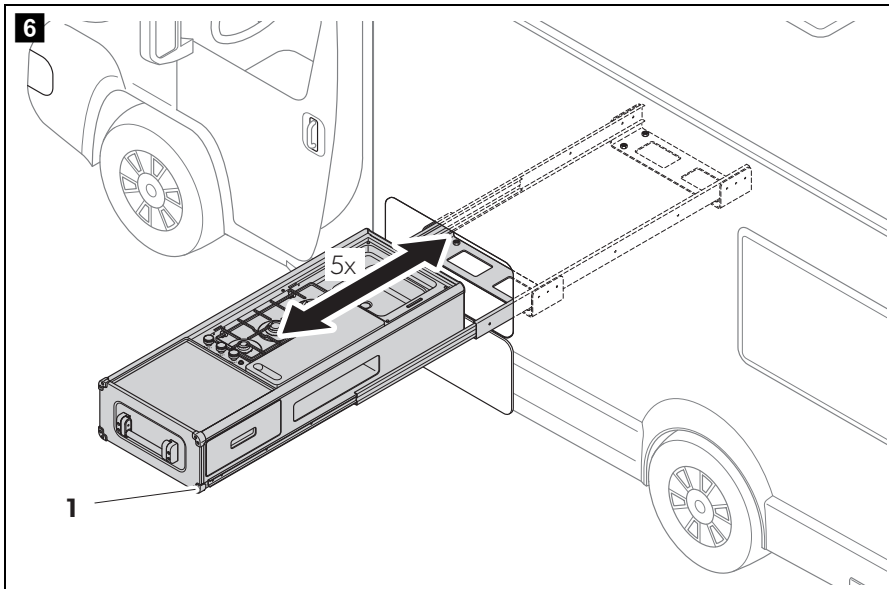
- Create a drilling template to mark-up and drill holes to suit M8 bolts (fig. **2** to fig. **3**).



- Mount the device as shown (fig. **4**).
- Fit M8 bolts with locking washers from underneath (not supplied) (fig. **4**). The length of the bolts should be at least 30 mm longer than the floor thickness.



- Adjust the height as needed by using the height adjustment (fig. **5** 1).



- Verify the smooth sliding of the slide out kitchen (fig. **6**). Ensure that slider locks are fully engaged when kitchen is extended and locking release tabs (fig. **6** 1) are releasing the slider locks correctly.



NOTE

- Slider locks are working correctly if the kitchen does not slide back into cavity when you give it a light push.
- If the slider locks on one or both sides do not engage, fully extend the kitchen. Pull it outwards until a click is heard when the slider locks engage.
- Ensure the correct disengaging of slider locks as follows:
 - Check if the locking release tabs can be pushed down easily with no resistance.
 - Push back the kitchen into the cavity with a light push.

5.2 Connecting the gas supply

The gas supply may only be installed by a tested and certified gas plumber.



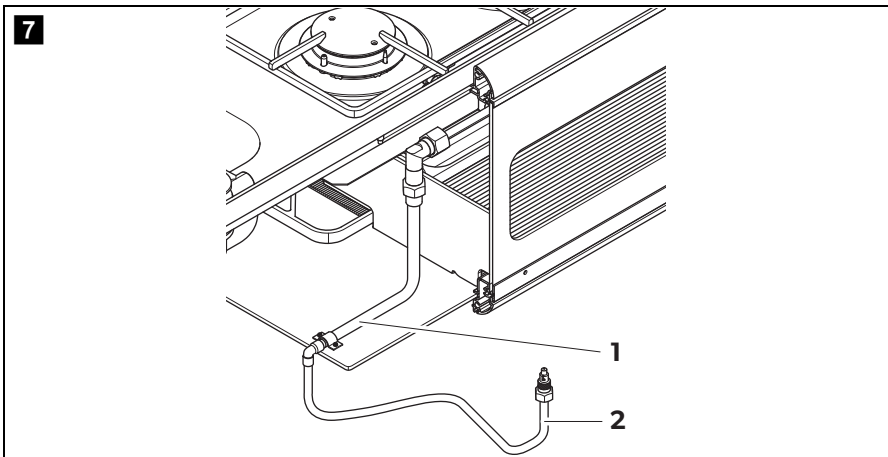
WARNING!

The female gas connection provided can only be connected to a rigid connection. For use with a flexible hose, install a copper pipe to the base plate of the slide out kitchen and fix it rigidly (fig. **7**, page 10).



NOTE

- For the gas connection the following additional parts are required:
 - male gas adaptor
 - copper piping
 - pipe mount
 - hose fitting
 - flexible gas hose at required length, depending on the mounting application
- Make sure that the hose line
 - is not crushed or kinked
 - is a safe distance from the burner.



- Observe the following:
 - Use the opening at the rear of the slide out kitchen to route and service all external plumbing and wiring.
 - Connect the slide out kitchen to LPG only.
 - Ensure that the connection to the gas supply is serviceable by the user. It must require detachment before closing the slide out kitchen.

- Connect the rigid pipe as shown (fig. **7** 1, page 10).
- Connect the flexible hose as shown (fig. **7** 2, page 10).

5.3 Connecting the water supply



NOTE

The water supply can be permanently connected.

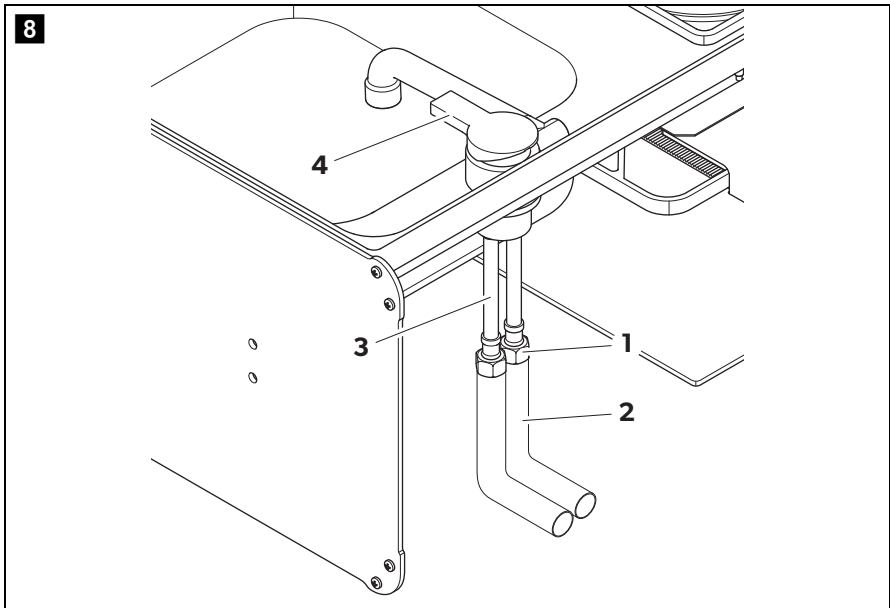


fig. **8**


- Install the tap (**4**) to the sink using a rubber seal either side.
- Attach the flexible water hose (**3**) to the tap.
- Connect an additional extension hose (**2**) to the flexible water hose using male fittings (**1**).

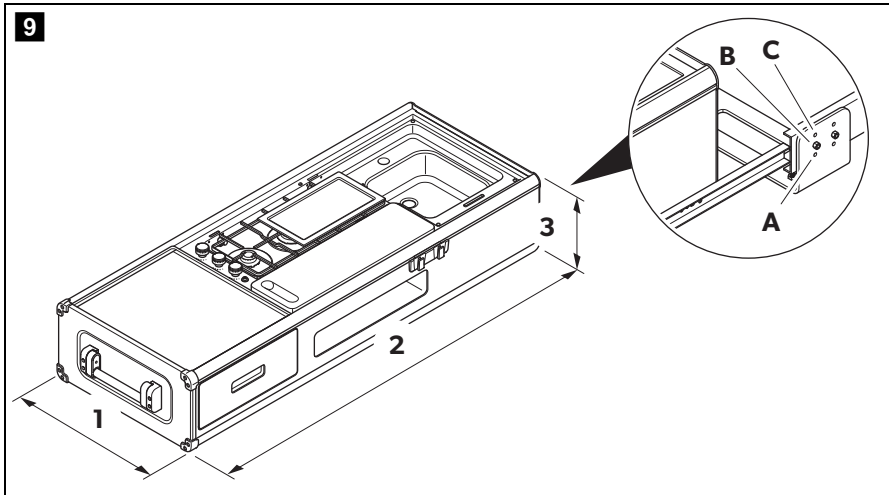
5.4 Connecting to a 12 V_~ power supply

For the electrical connection, wires are attached to the inner wall of the slide out kitchen.

- Connect the cooktop igniter wires via a joiner or a plug to a 12 V_~ power source.

6 Technical data

| | SKL101 | SKS101 |
|---------------------------------|---|--------------------------|
| Ref. no.: | 9600006441 | 9600019015 |
| Nominal gas consumption: | 16 MJ/h | |
| Gas category: | Category I ₃ , universal LPG | |
| Connection pressure: | AT, DE, EE, LT, LV, MT, PL: 30 mbar BE, CH, ES, FR, GB, GR, IE, IT, LU: 28 – 30/37 mbar CY, CZ, DK, FI, HU, IS, NL, NO, SE, SI, SK: 28 – 30 mbar AUS, NZ: 27.5 mbar | |
| Number of burners: | 3 | |
| Burner output in total: | 16.9 MJ/h | |
| Burner 1: | 3.8 MJ/h | |
| Burner 2: | 5.9 MJ/h | |
| Burner 3: | 7.2 MJ/h | |
| Cooking time for 1 l of water: | approx. 10 min (depending on the ambient conditions and pot used) | |
| Dimensions: | fig. 9 , page 13 | fig. 10 , page 14 |
| Weight (excluding accessories): | 44 kg | 34 kg |
| Inspection/certification: |  | |

Dimensions**SKL101****No. in fig. 9****Description**

- | | |
|---|---|
| 1 | Slide out kitchen and sliding fore-rails (inner): 597 mm Including fixation brackets and nuts: 630 mm |
| 2 | Slide out kitchen only: 1515 mm Including fixation bracket and rails (closed): 1667 mm Including fixation bracket and rails (extended): 3267 mm |
| 3 | Slide out kitchen only: 288 mm |

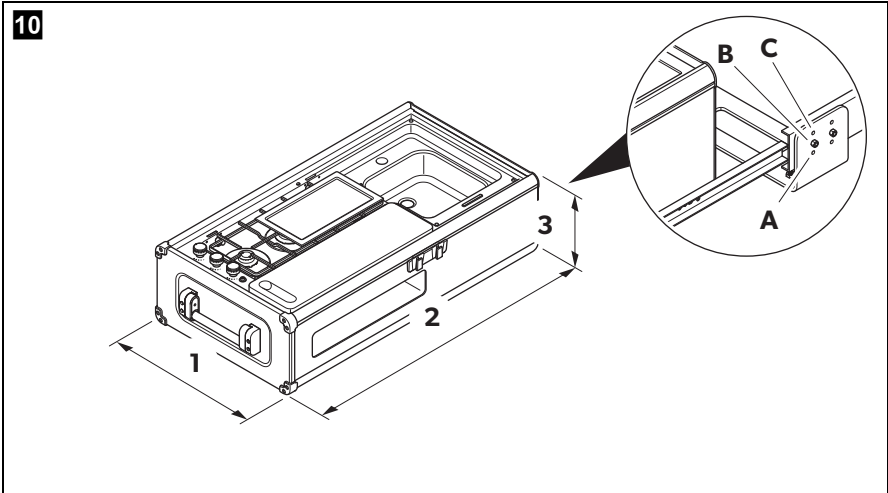
Height adjustments including fixation and bracket:

First height adjustment: 314 mm (A)

Second height adjustment: 334 mm (B)

Third height adjustment: 354 mm (C)

SKS101



| No. in fig. 10 | Description |
|----------------|--|
| 1 | Slide out kitchen and sliding fore-rails (inner): 597 mm Including fixation brackets and nuts: 630 mm |
| 2 | Slide out kitchen only: 1075 mm Including fixation bracket and rails (closed): 1220 mm Including fixation bracket and rails (extended): 2366 mm |
| 3 | Slide out kitchen only: 234 mm Height adjustments including fixation and bracket: First height adjustment: 260 mm (A) Second height adjustment: 280 mm (B) Third height adjustment: 300 mm (C) |

SKL101, SKS101

| Access doors | Door opening |
|--------------|--------------|
| Dometic | 658 x 364 mm |
| Coast2Coast | 612 x 346 mm |
| Thetford | 630 x 330 mm |

Mobile living made easy.



dometic.com

**YOUR LOCAL
DEALER**

dometic.com/dealer

**YOUR LOCAL
SUPPORT**

dometic.com/contact

**YOUR LOCAL
SALES OFFICE**

dometic.com/sales-offices

A complete list of Dometic companies, which comprise the Dometic Group, can be found in the public filings of:
DOMETIC GROUP AB Hemvärnsgatan 15 SE-17154 Solna Sweden